

The "S" Series Walkie Stackers



Raymond® Walkie Straddle Models RSS22/30/40

Raymond® Walkie Straddle Models RSS 22/30/40. The faster the better. Looking to improve cycle times while decreasing your cost of operation? Look to the *Raymond* RSS Stackers.

Superb engineering and easy-to-operate ergonomic controls ensure superior cycle times. Drive-in access to pallets saves valuable cycle time. The straddle baseleg design helps keep pallets and product squared away.

The versatile RSS is designed for all types of operations, from retail to warehousing to manufacturing. These vehicles handle heavier loads swiftly and efficiently.

With modular components and robust construction, these stackers stand up to years of use. Less maintenance and reduced downtime lead to a lower cost of operation.

RSS22/30/40 Standard Equipment

- 2200, 3000 and 4000 pound maximum capacity
- Two and three stage masts with fork heights up to 189"
- Load sensing torsion bar suspension for easier steering
- Separately excited traction system for smooth acceleration
- Thumb wheel control
- Key switch
- Horn
- Handle mounted electric lift/lower for easy access
- Chassis mounted manual lift/lower for precise control
- Hour meter

RAYMOND
Above. And beyond.®

www.raymondcorp.com

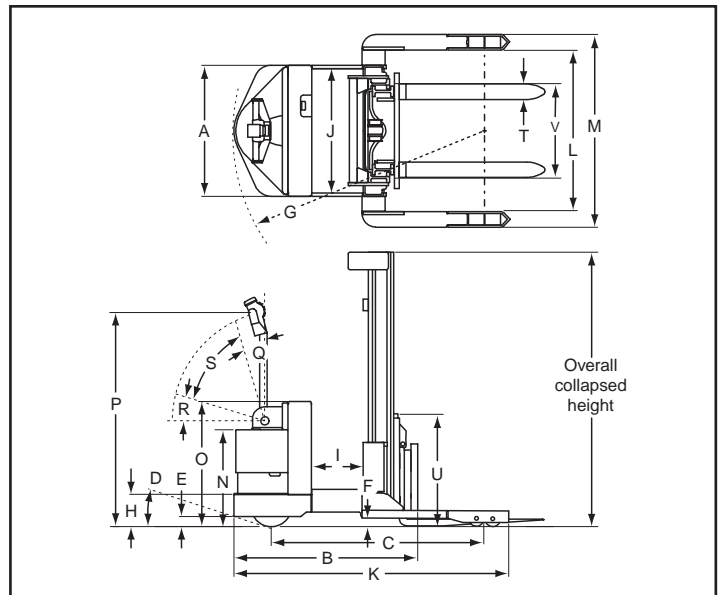
Specifications—RSS22/30/40

MAST SPECIFICATIONS				
Model	Lift Height(in.)	Overall Collapsed Height (in.)	Free Lift (in.)	Capacity (lbs.)
RSS22 2-stage Limited Free Lift	104	71	12	2200
	128	83	12	2200
	152	95	12	2200
RSS22 3-stage Full Free Lift	150	71	53	2200
RSS30 2-stage Limited Free Lift	104	71	12	3000
	128	83	12	3000
	152	95	12	3000
RSS30 3-stage Full Free Lift	150	71	53	3000
	180	83	65	3000
	189	87	69	3000
RSS40 2-stage Limited Free Lift	100	71	6	4000
	124	83	6	4000
	150	95	6	4000
RSS40 3-stage Full Free Lift	150	71	53	4000
	180	83	65	4000
	189	87	69	4000

PERFORMANCE SPECIFICATIONS		RSS22	RSS30	RSS40
Truck Weight, less battery	lbs.	2500	2500	2500
Battery Connector		SB-175 red		
Battery Lead Position/Length	in.	B/20		
Battery Voltage	V	24		
Minimum Battery Weight	lbs.	330	950	950
Travel Speed empty/loaded	mph	3.3/2.9	3.3/2.9	3.2/2.6
Lift Speed empty/loaded	fpm	49/32	49/32	49/27
Lowering Speed empty/loaded	fpm	42/60		

AISLE WIDTH REQUIRED FOR RIGHT ANGLE STACKING						
Load Width (in.)	RSS22 ++	RSS22 ++	RSS30 +	RSS30 +	RSS40*	RSS40*
	Load Length (in.)					
30	74	83	78	87	81	89
32	74	82	78	86	81	89
36	73	82	77	86	80	88
40	72	81	76	85	79	88
42	71	81	75	85	79	87
48	69	80	73	84	77	86

Aisle width requirements based on 6" clearance between pallets.
 Add 6-12" for ease of operation.
 Add 2.5" when equipped with sideshift.
 * Add 4.5" when equipped w/3-stage mast.
 + Add 6.0" when equipped w/3-stage mast.
 ++ Add 9.0" when equipped w/3-stage mast.



DIMENSION CHART		RSS22	RSS30	RSS40
Capacity	lbs.	2200	3000	4000
A Tractor Width	in.	34.1		
B Tractor Head Length — 2-stage/3-stage	in.	38.4/43.6	44.7/47.9	44.7/47.9
C Wheelbase	in.	51.1	55.4	55.4
D Grade Clearance	%	10		
E Underclearance: Tractor	in.	2.1		
F Underclearance: Baselegs	in.	2		
G Turning Radius	in.	60.8	65.1	65.1
H Battery Floor Height w/optional rollers	in.	9.5		
I Battery Compartment Width	in.	9	13.3	13.3
J Battery Compartment Length	in.	32.3		
K Overall Length — 2-stage/3-stage	in.	67	71.3	71.3
L Baseleg Opening (inside)	in.	32-50		
M Baseleg (outside)	in.	40-58		
N Tractor Height at Handle	in.	25.25		
O Tractor Height at Battery	in.	32.25		
P Handle Height Retracted	in.	55.6		
Q Top Vertical Braking Arc	deg.	12.5		
R Bottom Braking Arc	deg.	10.5		
S Handle Operating Arc	deg.	67		
T Forks	in.	1.5 x 4	1.5 x 4	1.75 x 4
U Load Backrest (height)	in.	48		
V Fork Adjustment	in.	8.5-30		
Drive Tire	in.	10.5 x 5 polyurethane		
Load Wheels	in.	4 x 2.875 tandem polyurethane		

RAYMOND
 Above. And beyond.®

The Raymond Corporation
 P.O. Box 130
 Greene, New York 13778-0130
 Toll free 1 (800) 235-7200
 Fax 1 (607) 656-9005

www.raymondcorp.com